



INSULATED HIGH-SPEED ROLLER SHUTTERS

Traditional made Modern!

EBS insulated high-speed roller shutters are manufactured with high quality PE-foam filled, aluminium slats. Lightweight aluminium (ca. 9.9 kg/m²) increases longevity through; minimising stress on motor and components, providing higher resistance to corrosion.

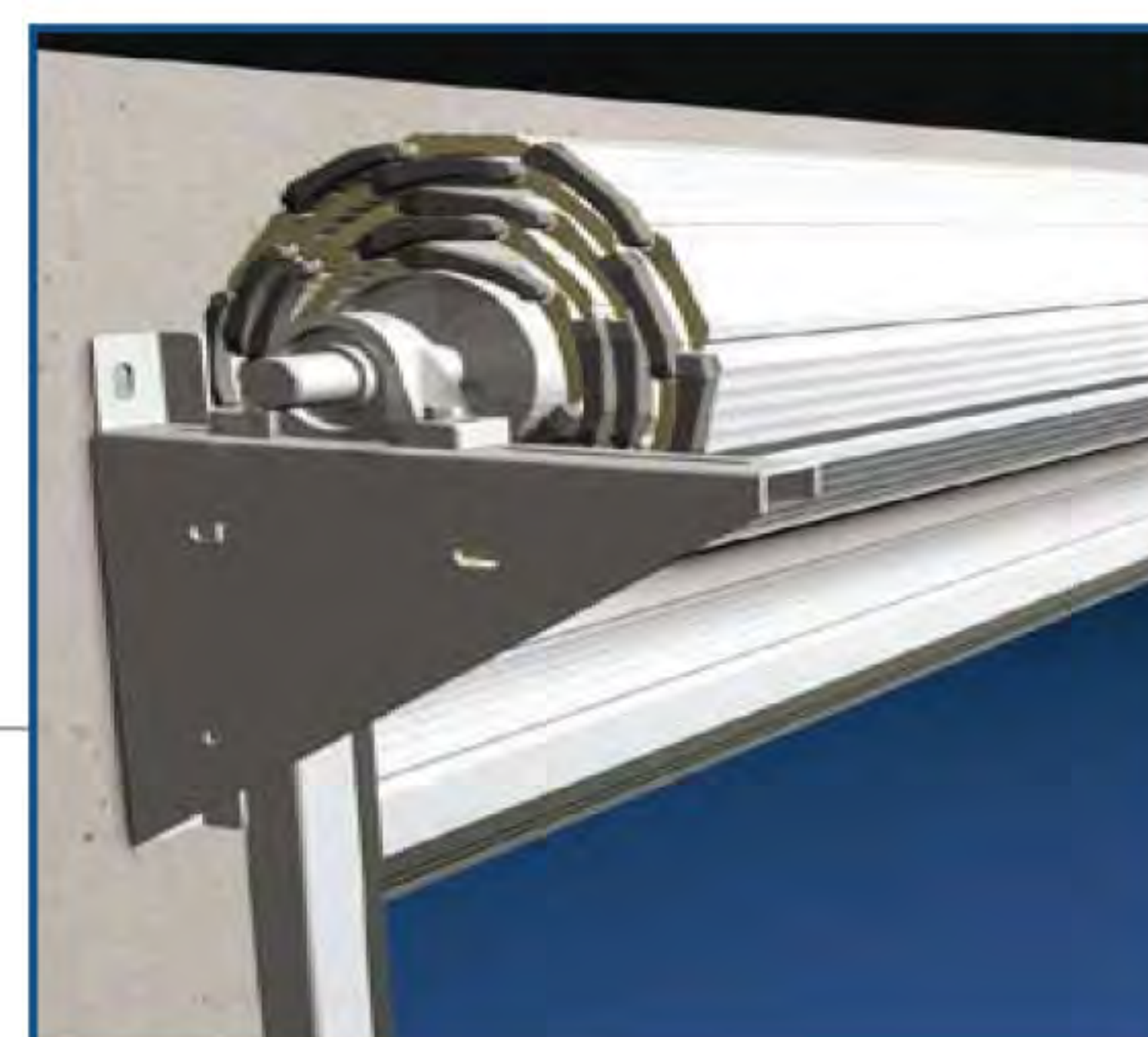
EBS roller shutters are constructed using a small number of manageable components, which facilitate fast and economical installations. Any repairs that may become necessary, are done quickly and cost effectively.

Smooth and Fast

The high-speed THERMAshutter can be operated with an average opening **speed of up to 1.7 m/s**, making them an economical alternative to conventional flexible curtain doors. With the utilisation of PVC guides on the tracks, the shutter can operate smoothly and quietly - A powerful microprocessor with inverter provides smooth acceleration and soft braking to protect materials.

KEY ADVANTAGES

- High-speed operation
- Provide thermal efficiency
- Smooth and quiet operation
- Provide noise protection
- Robust and cost effective
- Economical to maintain
- Quick and easy to repair



TECHNICAL SPECIFICATIONS

- Insulated foam filled slats: 20 mm thick
- Thermal transfer U-value: 2.51 W/m²K
- Low flammability: 100 mm/min
- Standard finish: Aluminium (Optional RAL colours available)
- Temperatures: 0°C to 90°C

DRIVE MOTOR

The drive is a slip-on geared motor with integrated safety catch.

It is sized according to the dimensions of the door system. The drive can be installed on the right or the left.

- Worm gear with fall protection guard
- Plastic housing: IP54 (water spray)
- Engine brake moment: 9 Nm
- Required power: 240 V

DOOR CONTROL SYSTEM

The THERMAshutter's basic control system is configured to function as follows:

- press-and-hold to close
- press once to open.

The plastic control box has a keypad with Open-Stop-Close buttons.

A CEE-plug (IP 54) is used to connect the power supply. Other door control configurations can be selected.

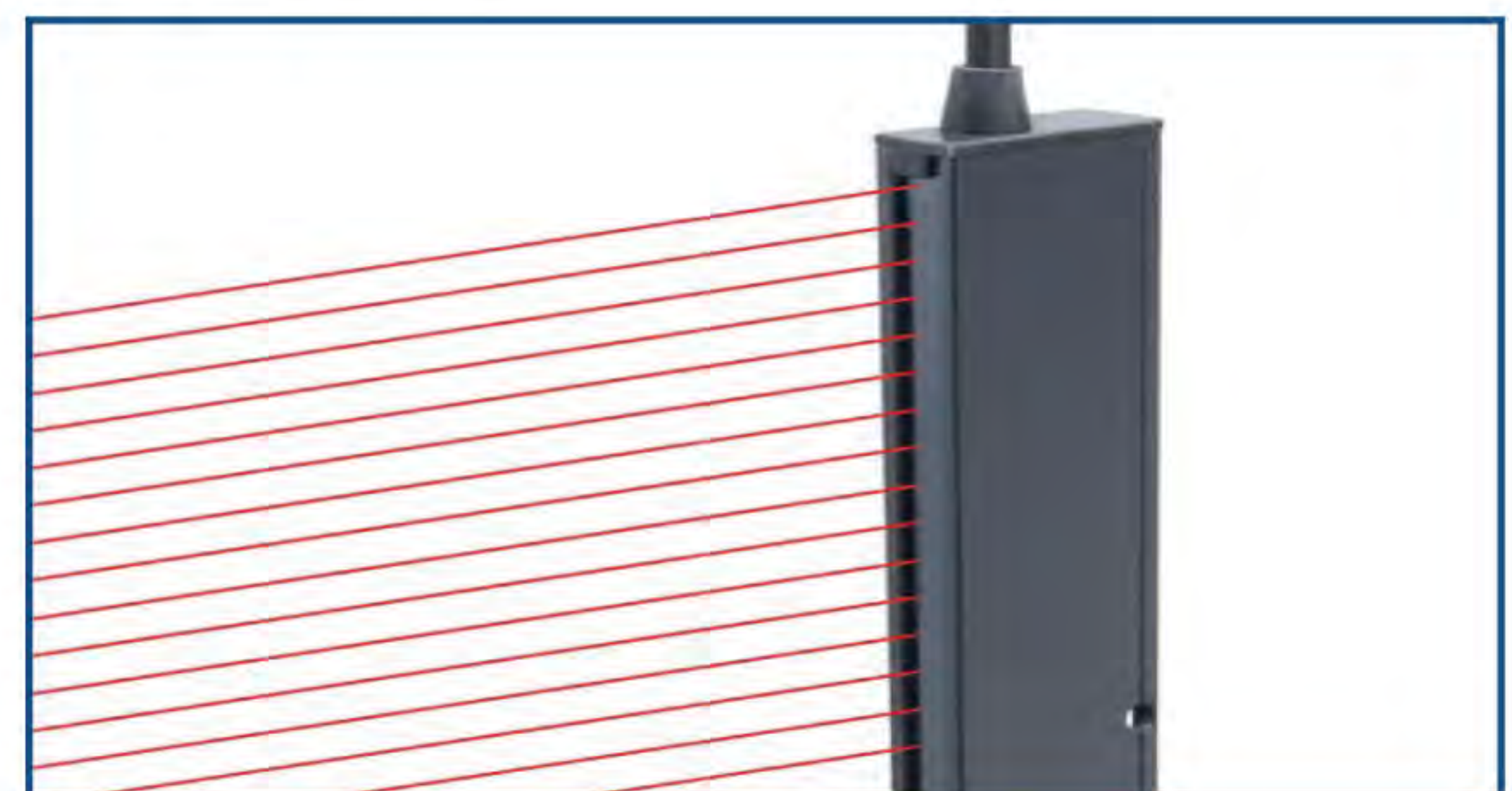
ACTIVATION TECHNIQUES

Individual functionality can be further customised with additional safety devices like infra-red or radar motion sensors and a wide range of industrial pulse generators (switches, induction loops, radio transmitters).

Function and componentry of our made-to-order THERMAshutters can be individually tailored to suit a broad range of requirements, budgets and specifications.

SAFETY

A standard feature of the THERMAshutter (in automatic mode) is the implementation of light curtains.



KEY DATA

- Up to 1.7 m/s opening speed
- Thermal U-value = 2.41 W/m²K
- Frequency controlled operators
- Manufactured using German quality materials and components

■ SAFETY:

- Light curtain
- Fall protection
- Emergency chain operation

■ REQUIRED SPACE:

- Width for main tracks: 80 mm
- Space required above lintel: 800 mm

■ OPTIONS:

- Warning lights
- Traffic lights
- Remote control
- Transparent slats